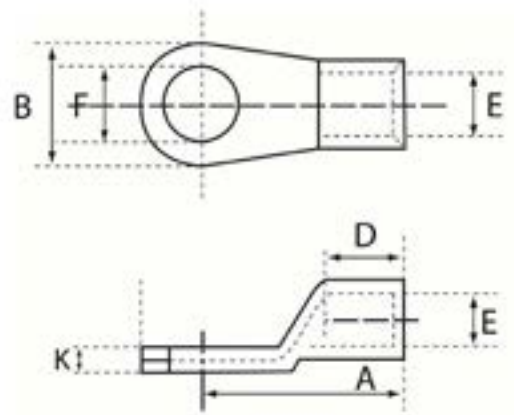


## Gelaste kabelschoenen, Cu



Voor ronde geleiders, bijv. volgens EN 60228 kl. 2, 5 en 6

MAT.: Cu/vertind VERTIND: Ja

Art. nr.	MM <sup>2</sup> KABEL	AFM. B	AFM. E	AFM. F	BOUTGAT
1620/2.5	0.5 - 1	6	1.6	2.8	M2.5
1620/3	0.5 - 1	6	1.6	3.7	M3
1620/3.5	0.5 - 1	6	1.6	3.7	M3.5
1620/4	0.5 - 1	8	1.6	4.3	M4
1620/5	0.5 - 1	10	1.6	5.3	M5
1620/6	0.5 - 1	11	1.6	6.5	M6
1620/8	0.5 - 1	14	1.6	8.4	M8
1620/10	0.5 - 1	18	1.6	10.5	M10
1630/3	1.5 - 2.5	6	2.3	3.2	M3
1630/4	1.5 - 2.5	8	2.3	4.3	M4
1630/3.5	1.5 - 2.5	6	2.3	3.7	M3
1630/5	1.5 - 2.5	10	2.3	5.3	M5
1630/6	1.5 - 2.5	11	2.3	6.5	M6
1630/8	1.5 - 2.5	14	2.3	8.4	M8
1630/10	1.5 - 2.5	18	2.3	10.5	M10
1630/12	1.5 - 2.5	18	2.3	12.5	M12
1650/4	4 - 6	8	3.6	4.3	M4
1650/5	4 - 6	10	3.6	5.3	M5
1650/6	4 - 6	11	3.6	6.5	M6
1650/8	4 - 6	14	3.6	8.4	M8
1650/10	4 - 6	18	3.6	10.5	M10
1650/12	4 - 6	18	3.6	13	M12
1652/5	10	10	4.5	5.3	M5

TECHNISCHE FICHE - A001931

Art. nr.	MM <sup>2</sup> KABEL	AFM. B	AFM. E	AFM. F	BOUTGAT
1652/6	10	11	4.5	6.5	M6
1652/8	10	14	4.5	8.4	M8
1652/10	10	18	4.5	10.5	M10
1652/12	10	22	4.5	13	M12
1653/5	16	11	5.8	5.3	M5
1653/6	16	11	5.8	6.5	M6
1653/8	16	14	5.8	8.4	M8
1653/10	16	18	5.8	10.5	M10
1653/12	16	22	5.8	13	M12
1654/5	25	12	7.5	5.3	M5
1654/6	25	12	7.5	6.5	M6
1654/8	25	16	7.5	8.4	M8
1654/10	25	18	7.5	10.5	M10
1654/12	25	22	7.5	13	M12
1654/16	25	28	7.5	17	M16
1655/6	35	16	9	8.4	M6
1655/8	35	16	9	8.4	M8
1655/10	35	18	9	10.5	M10
1655/12	35	22	9	13	M12
1655/16	35	28	9	17	M16
1656/6	50	18	11	6.5	M6
1656/8	50	18	11	8.4	M8
1656/10	50	18	11	10.5	M10
1656/12	50	22	11	13	M12
1656/16	50	28	11	17	M16
1657/6	70	22	13	6.5	M6
1657/8	70	22	13	8.4	M8
1657/10	70	22	13	10.5	M10
1657/12	70	22	13	13	M12
1657/16	70	28	13	17	M16
1658/8	95	24	15	8.4	M8
1658/10	95	24	15	10.5	M10
1658/12	95	24	15	13	M12
1658/16	95	28	15	17	M16
1659/8	120	24	17	8.4	M8
1659/10	120	24	17	10.5	M10
1659/12	120	24	17	13	M12
1659/16	120	28	17	17	M16
1660/10	150	30	19	10.5	M10
1660/12	150	30	19	13	M12
1660/16	150	30	19	17	M16
1661/12	185	36	21	13	M12
1661/16	185	36	21	17	M16
1662/12	240	38	23.5	13	M12
1662/16	240	38	23.5	17	M16